

Distributed Operating Systems

Prashant Shenoy

UMass Computer Science

<http://lass.cs.umass.edu/~shenoy/courses/677>

Course Syllabus

- CMPSCI 677: Distributed Operating Systems
- *Instructor:* Prashant Shenoy
 - Email: shenoy@cs.umass.edu, Phone: (413) 577 0850
 - Office hours: Tuesday 12:30-1:30, or by appt
- *Teaching Asst:* Jiang Lan
 - Email: jiang@cs.umass.edu, Phone: (413)
 - Office hours: Friday, TBA
- *Course web page:* <http://lass.cs.umass.edu/~shenoy/courses/677>

Course Outline

- Introduction (*today*)
 - What, why, why not?
 - Basics
- Interprocess Communication
 - RPCs, RMI, message- and stream-oriented communication
- Processes and their scheduling
 - Thread/process scheduling, code/process migration
- Naming and location management
 - Entities, addresses, access points

Course Outline

- Canonical problems and solutions
 - Mutual exclusion, leader election, clock synchronization, ...
- Resource sharing, replication and consistency
 - DSM, DFS, consistency issues, caching and replication
- Fault-tolerance
- Security in distributed Systems
- Distributed middleware
- Advanced topics: web, multimedia, real-time and mobile systems

Misc. Course Details

- *Textbook*: Distributed Systems by Tannenbaum and Van Steen, Prentice Hall 2001
- *Grading*
 - 4-5 Homeworks (20%), 3-4 programming assignments (35%)
 - 1 mid-term and 1 final (40%), class participation (5%)
- *Course mailing list*: cs677@cs.umass.edu
 - You need to add yourself to this list! [see class web page]
- *Pre-requisites*
 - Undergrad course in operating systems
 - *Good* programming skills in a high-level prog. language



Definition of a Distributed System

- A distributed system:
 - Multiple connected CPUs working together
 - A collection of independent computers that appears to its users as a single coherent system
- Examples: parallel machines, networked machines



Advantages and Disadvantages

- Advantages
 - Communication and resource sharing possible
 - Economics – price-performance ratio
 - Reliability, scalability
 - Potential for incremental growth
- Disadvantages
 - Distribution-aware PLs, OSs and applications
 - Network connectivity essential
 - Security and privacy

Transparency in a Distributed System

Transparency	Description
Access	Hide differences in data representation and how a resource is accessed
Location	Hide where a resource is located
Migration	Hide that a resource may move to another location
Relocation	Hide that a resource may be moved to another location while in use
Replication	Hide that a resource may be shared by several competitive users
Concurrency	Hide that a resource may be shared by several competitive users
Failure	Hide the failure and recovery of a resource
Persistence	Hide whether a (software) resource is in memory or on disk

Different forms of transparency in a distributed system.

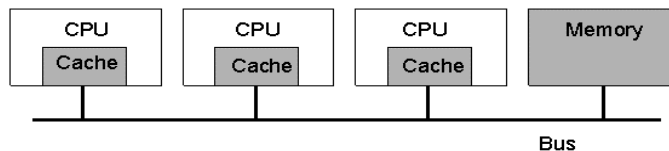
Scalability Problems

Concept	Example
Centralized services	A single server for all users
Centralized data	A single on-line telephone book
Centralized algorithms	Doing routing based on complete information

Examples of scalability limitations.

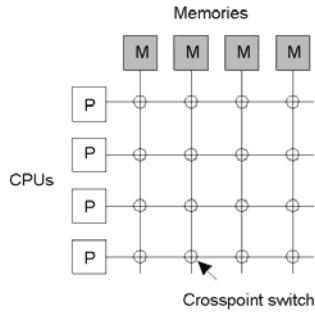
Hardware Concepts: Multiprocessors (1)

- Multiprocessor dimensions
 - Memory: could be shared or be private to each CPU
 - Interconnect: could be shared (bus-based) or switched
- A bus-based multiprocessor.

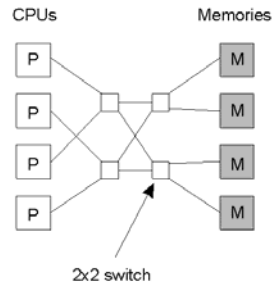


Multiprocessors (2)

- a) A crossbar switch b) An omega switching network



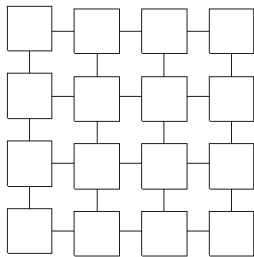
(a)



(b)

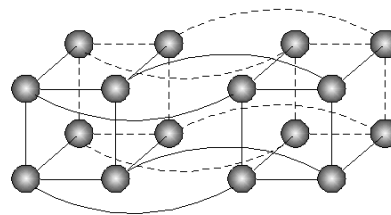
Homogeneous Multicomputer Systems

- a) Grid



(a)

- b) Hypercube



(b)

Distributed Systems Models

- Minicomputer model (e.g., early networks)
 - Each user has local machine
 - Local processing but can fetch remote data (files, databases)
- Workstation model (e.g., Sprite)
 - Processing can also migrate
- Client-server Model (e.g., V system, world wide web)
 - User has local workstation
 - Powerful workstations serve as servers (file, print, DB servers)
- Processor pool model (e.g., Amoeba, Plan 9)
 - Terminals are Xterms or diskless terminals
 - Pool of backend processors handle processing

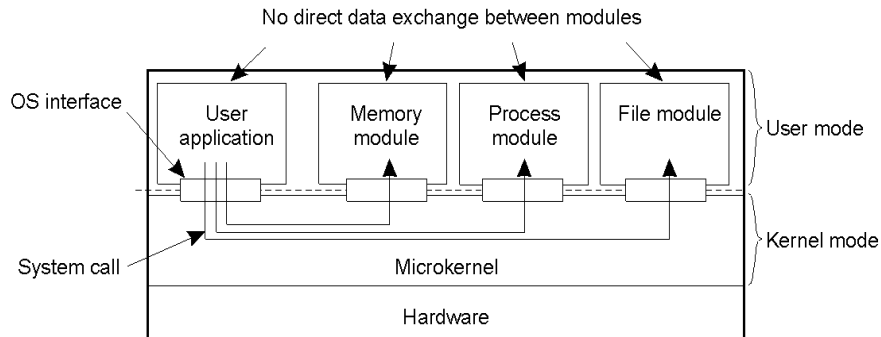
Uniprocessor Operating Systems

- An OS acts as a resource manager or an arbitrator
 - Manages CPU, I/O devices, memory
- OS provides a virtual interface that is easier to use than hardware
- Structure of uniprocessor operating systems
 - Monolithic (e.g., MS-DOS, early UNIX)
 - One large kernel that handles everything
 - Layered design
 - Functionality is decomposed into N layers
 - Each layer uses services of layer N-1 and implements new service(s) for layer N+1

Uniprocessor Operating Systems

Microkernel architecture

- Small kernel
- user-level servers implement additional functionality



Distributed Operating System

- Manages resources in a distributed system
 - Seamlessly and transparently to the user
- Looks to the user like a centralized OS
 - But operates on multiple independent CPUs
- Provides transparency
 - Location, migration, concurrency, replication,...
- Presents users with a virtual uniprocessor

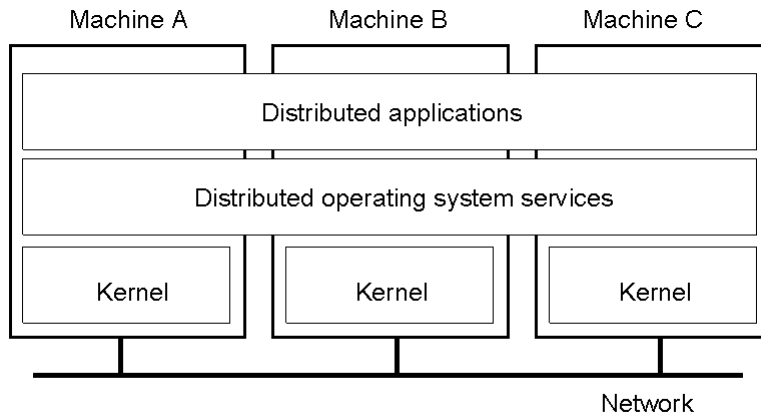
Types of Distributed OSs

System	Description	Main Goal
DOS	Tightly-coupled operating system for multi-processors and homogeneous multicomputers	Hide and manage hardware resources
NOS	Loosely-coupled operating system for heterogeneous multicomputers (LAN and WAN)	Offer local services to remote clients
Middleware	Additional layer atop of NOS implementing general-purpose services	Provide distribution transparency

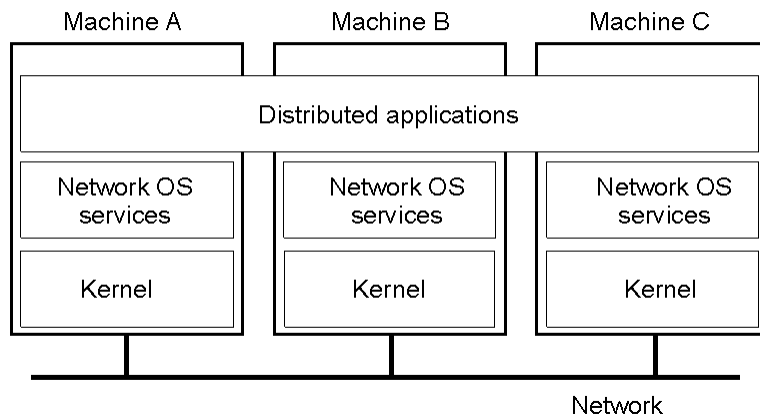
Multiprocessor Operating Systems

- Like a uniprocessor operating system
- Manages multiple CPUs transparently to the user
- Each processor has its own hardware cache
 - Maintain consistency of cached data

Multicomputer Operating Systems

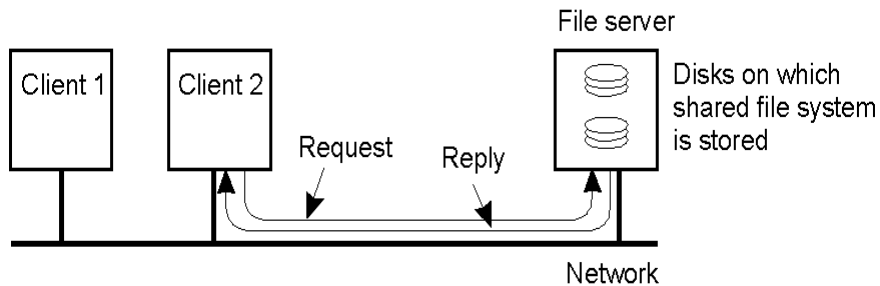


Network Operating System



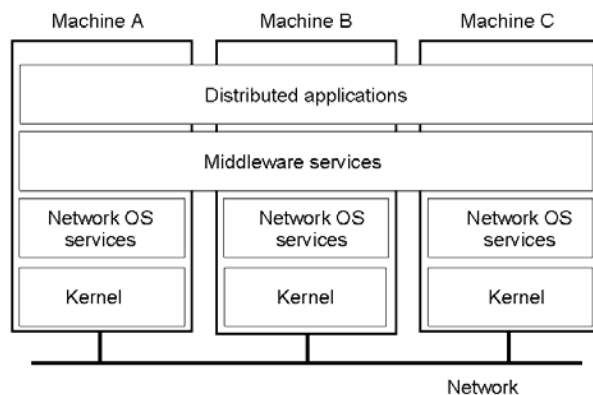
Network Operating System

- Employs a client-server model
 - Minimal OS kernel
 - Additional functionality as user processes



Middleware-based Systems

- General



Comparison between Systems

Item	Distributed OS		Network OS	Middleware-based OS
	Multiproc.	Multicomp.		
Degree of transparency	Very High	High	Low	High
Same OS on all nodes	Yes	Yes	No	No
Number of copies of OS	1	N	N	N
Basis for communication	Shared memory	Messages	Files	Model specific
Resource management	Global, central	Global, distributed	Per node	Per node
Scalability	No	Moderately	Yes	Varies
Openness	Closed	Closed	Open	Open